

User's Manual

Bluetooth Digital Thickness Gauge

Type : SSS Series



SSS-540



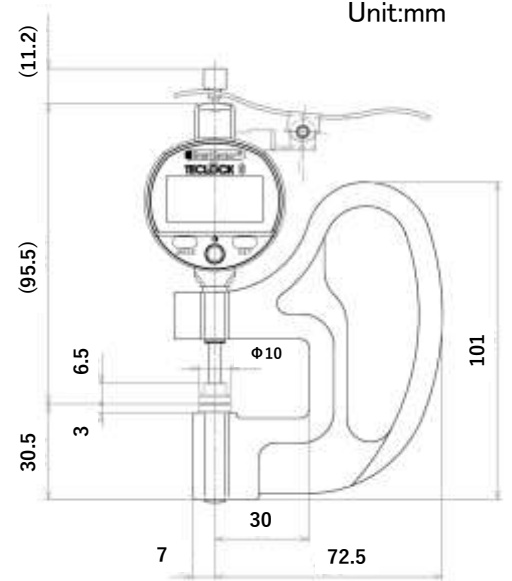
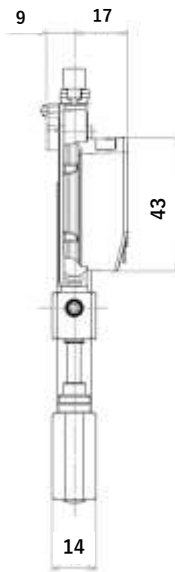
SSS-5650

Parts	Features
Battery Cover	for exchange the Battery(CR2032)
Display	Display Measuring value, Setting mode, etc.
MODE Button	Basic function by short press, Advanced function by long press
SET Button	Change each mode, digit, etc.
Directional Button	Send button on Measuring, Enter button on setting
Lift Lever	Lifting lever for putting in work
Flame	Flame
Spindle	Measuring axis
Probe	Contact point
Anvil	Base of measuring

*1) Refer to Indicator manual for detail operation.
 *2) Refer to Chapter 6 about Probe shape.

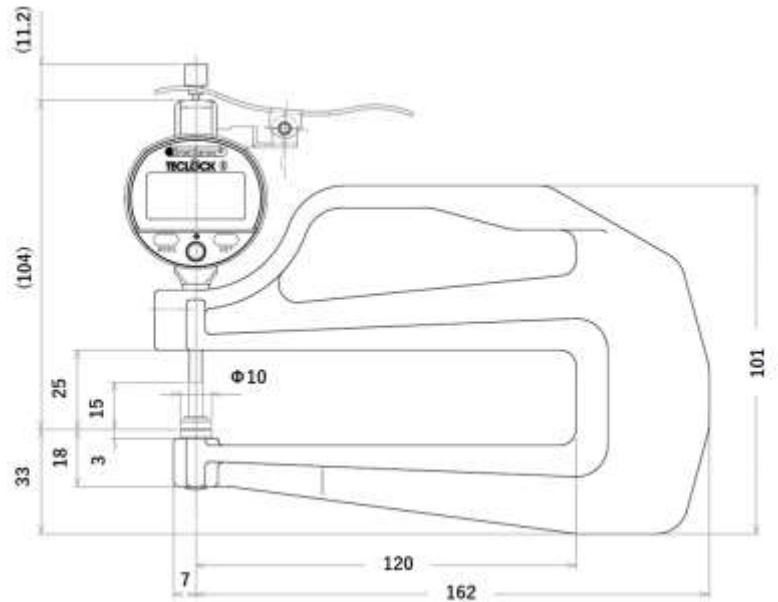
Descriptions

SSS-540

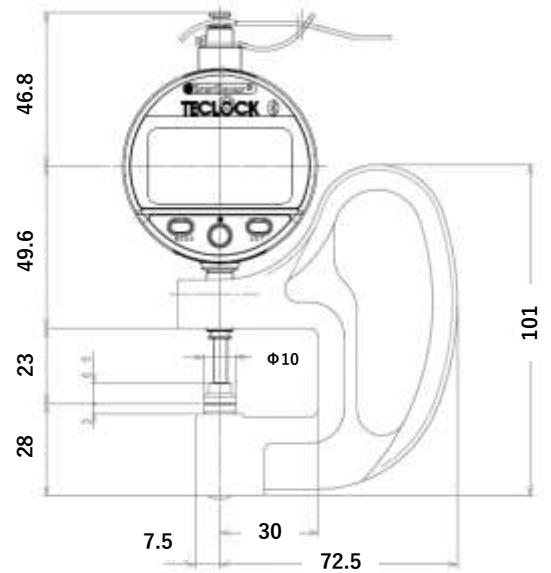
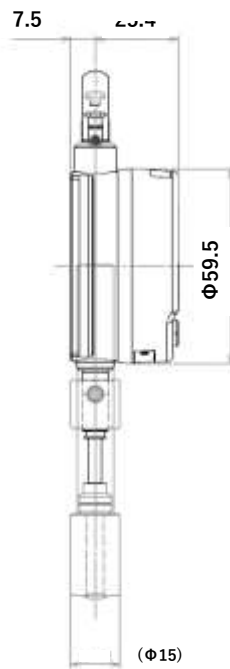


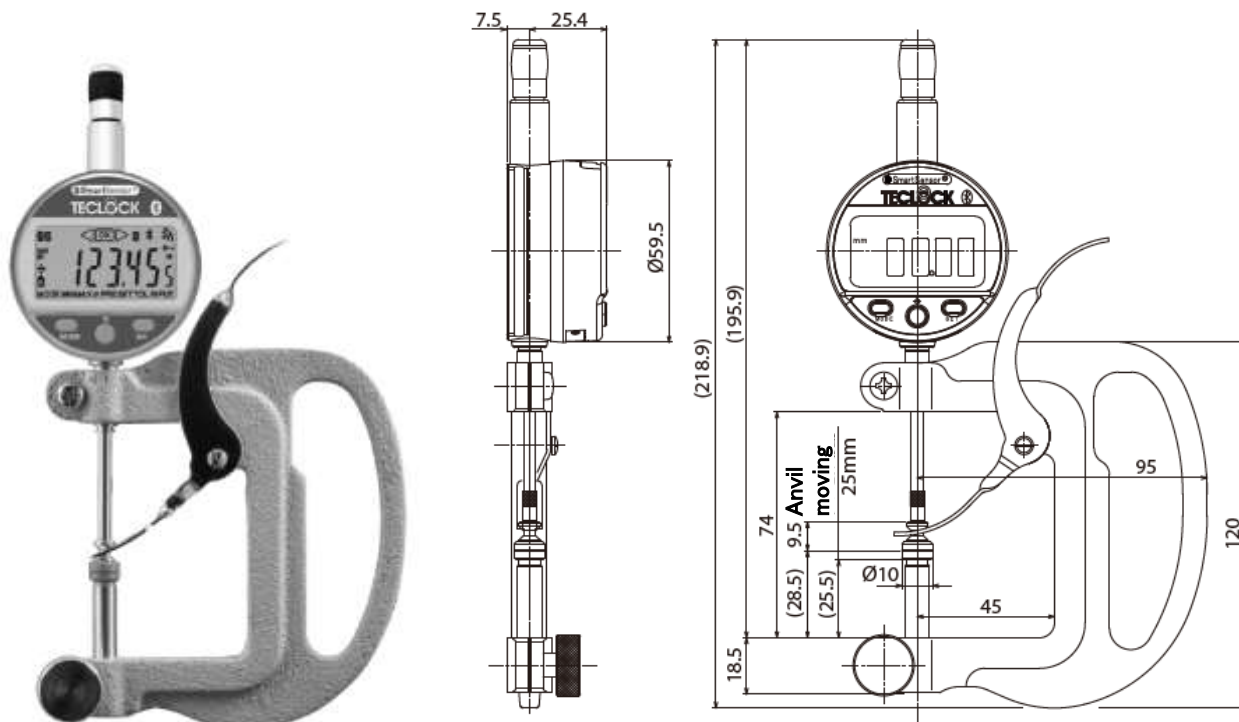
Unit:mm

SSS-550



SSS-5650





1. Power on/off operation

(1) Power on Press any button, then Power on.

(2) Power off

① Long press **SET** button (2 sec. or more), then it is standby and display is disappeared.

② Long press **SET** button (4 sec. or more), then 「off」 displayed and Power off.

※) In the case of no using for a long time, do ② operation.

2. Preparation for Measuring

(1) Setting for Bluetooth

① Long press **MODE** button, then Advanced mode. (「Unit」 displayed)

② Short press **MODE** button 5 times, then 「bt CFG」 displayed. (Bluetooth setting mode)

③ Short press **↔** button any times, then select 「HID」 or 「PAIr」 and press **SET** button.

④ Short press **MODE** button any times, then 「bt」 displayed. (Bluetooth setting mode)

⑤ Short press **↔** button, then select 「on」 and press **SET** button. (Bluetooth on mode)

⑥ Short press **MODE** button any times, then 「bt」 displayed. (Bluetooth setting mode)

⑦ Short press **↔** button, then 「rESEt」 displayed and press **SET** button. (Bluetooth Reset)

⑧ Pair connection with PC.

⑨ Display on Bluetooth mode

Display status	Operating mode
off	Bluetooth disconnected
blincking	Bluetooth advertising
on	Bluetooth connected
rESEt	reset : clear pairing information
MAC	MAC : display the MAC address
Simple	Simple : profile without pairing
PAIr	Pair : paired and secured profile
Hid	HID : virtual keyboard


Pairing mode	Instrument name on PC display	
	Mini Indicator	Standard Indicator
Pairモード	SY303	SY289
HIDモード	S Dial Mini HID	S Dial work HID

3. Measuring

(1) Setting zero point

- ① Hold this Moving arm in standing position.
- ② Short press **SET** button, 「Zero」displayed and reset.

(2) Measuring a thickness

- ① Place a work between contact point and anvil by Lift lever.
- ② Press  button, then measuring data is sent to PC.



4. Maintenance

Carefully dry all mechanical parts of the instrument after contact with liquids to ensure proper operation and avoid corrosion.

Don't use aggressive products (alcohol, trichloroethylene or others) to clean plastic parts.

Don't expose the instrument to direct sunlight, heat or humidity

5. Installing and replacing the battery

(1) In case Mini Indicator (SSI-150S)



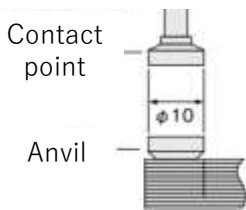
(2) In case Standard Indicator (SSI-550, SSI-560)



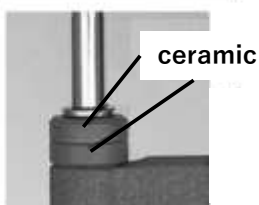
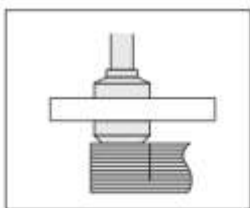
6. Contact point and Anvil for Thickness Gauge

Unit: mm

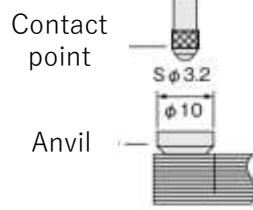
◆ Standard type



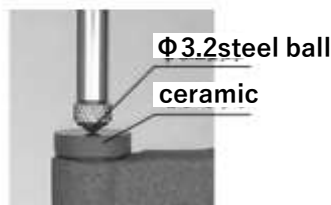
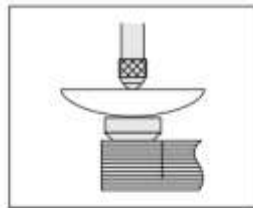
Suitable for a high parallelism sheet-like work



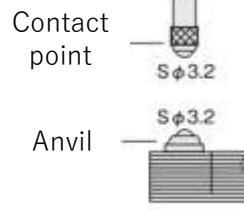
◆ LS type



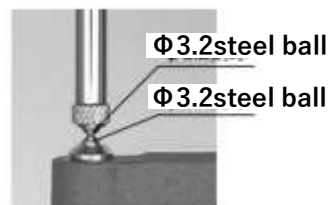
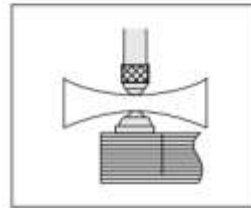
Suitable for a moon lens etc.



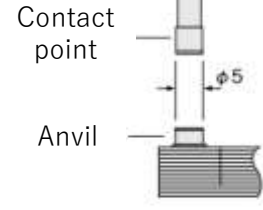
◆ LW type



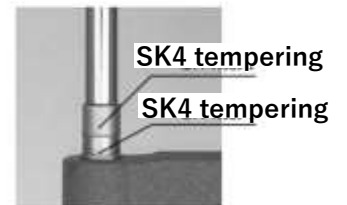
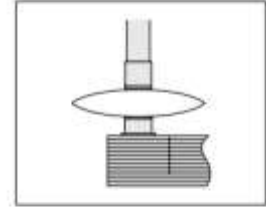
Suitable for a concave lens-like shape work



◆ 3A type








Suitable for a convex lens and a small block



7. Specifications

Type	SSS-540	SSS-540-LS	SSS-540-LW	SSS-540-3A	SSS-550	SSS-550-LS	SSS-550-LW	SSS-550-3A	SSS-5650	SSS-130
Resolution(mm)	0.01								0.001	0.01
Measuring range(mm)	12									50(25)
Indication error(μ m)	± 20								± 3	± 20
Measuring force(N)	1.2 or less								1.2 or less	1.2 or less
Contact point(mm)	Φ 10Flat	Φ 3.2Ball	Φ 3.2Ball	Φ 5Flat	Φ 10Flat	Φ 3.2Ball	Φ 3.2Ball	Φ 5Flat	Φ 10Flat	Φ 10Flat
Anvil(mm)	Φ 10Flat	Φ 10Flat	Φ 3.2Ball	Φ 5Flat	Φ 10Flat	Φ 10Flat	Φ 3.2Ball	Φ 5Flat	Φ 10Flat	Φ 10Flat
Insertion depth(mm)	30				120				30	45
Weight(g)	176				344				380	543
Built-in Indicator	SSI-150S								SSI-550	SSI-560
Working temperature($^{\circ}$ C)	5~40									
Storage temperature($^{\circ}$ C)	-10~60									
IP protection	IP67								IP54	IP54
Battery life	about 6 months (under general using)									
Battery	CR2032									

8. Certification

contains bluetooth module	ISP091201D
Region	Certification
USA	FCC ID : 2AAQS-ISP091201
Canada	IC : 11306A-ISP091201
Brazil	Anatel : 0516-14-4534
Korea South	 MSIP-CRM-iNs-ISP091201
Mexico	IFT : RCPSYIS14-0655
Japan	  001-A06167
Taiwan	 CCAH18LP2040T6
EU	
India	WPC : ETA-1003/2-17-/RLO(WR)

CERTIFICATE OF CALIBRATION

We hereby certify that this product has been calibrated and found to be in accordance with the applicable NATIONAL STANDARDS and TECLOCK STANDARDS, Equipment used in this calibration has traceable accuracy to the NATIONAL LENGTH and FORCE STANDARD.



Notice for use

Be sure to conduct a routine check for this product according to the purpose of use before use. This product is precision instrument, periodically considering frequency of use, environmental conditions and method of use.

It is not guaranteed for the performance of this product, which has been repaired or disassembled by other than TECLOCK.

For appearance and other design improvement, this products
subject to change without advance notice.

TECLOCK Corporation

TECLOCK SmartSolutions Corporation

<http://www.teclock.co.jp>

HEAD OFFICE

2-10-3 MARUTA-CHO, OKAYA-SHI, NAGANO-KEN 394-0042

PHONE:81-266-22-4912, FACSIMILE:81-266-22-4914

E-mail:teclock@teclock.co.jp