

5

Micrometer

High precision Micrometer, Sending to PC or Smartphone by built-in Bluetooth and Measurement of High resolution 1/1000 mm.



Line up for Measuring range. Main features are High-speed ratchet mechanism and IP67. By built-in Bluetooth, no adapters and cables for interface, and One-touch data sending to PC or smartphone.

Bluetooth Digital Micrometer

NEW

High Precision Standard Series

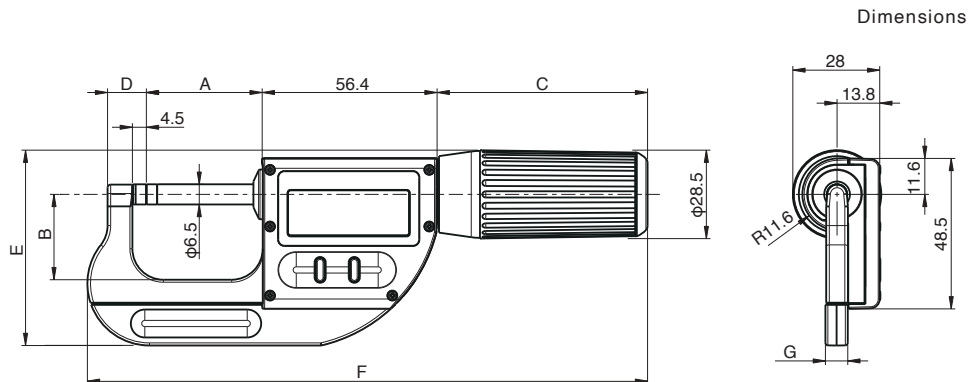
- Line up for two sizes.
- High speed ratchet mechanism.
- IP67.
- One-touch data sending to PC or smartphone by built-in Bluetooth.
- Data management by SmartMeasure® Lite (free).



SSM-750
·Measuring Range 0-30mm



SSM-850
·Measuring Range 30-66mm



	A	B	C	D	E	F	G
SSM-750(0-30mm)	37.3	27.5	68	12.5	63	181	7.2
SSM-850(30-66mm)	73.3	43.0	74	13.5	86	230	9.0

unit : mm

Specifications

Model	Measuring Range (mm)	Resolution (mm)	Indication Error(μm)	Measuring Force(N)	Travel(mm)/Rotation	IP Rating	Battery	Weight (g)	Suggested List Price
SSM-750	0-30	0.001	±2	5 or 10	10	IP67	CR2032	270	94,800 JPY
SSM-850	30-66	0.001	±2	10	10	IP67	CR2032	425	138,600 JPY